

# Raven

The Raven is a rear mounted Arm mower designed to meet the demands of smaller agricultural, horticultural, landscape & amenity customers. The rugged design ensures excellent performance for a small, compact machine and is suitable for any tractor over 40HP.

With a choice of 4.0m or 4.7m reach, and the familiar cable lever control the Raven can also be fitted with the popular LPH "Low Pressure Hydraulic" Joystick, which gives proportional control of the arm and switch control of the head angle. Arm float functions are available via buttons on the rear of the stick allowing ultimate control when operating the machinery, whether hedge cutting or verge mowing.

## Key Features

- Choice of 4.0m or 4.7m reach
- Direct drive cutting head or cutter bar
- Cable Control with Low Pressure Hydraulics optional
- Tubular 3 point linkage kit
- Choice of flails



Want to know more about the Raven range?

Scan the QR code to the left with a smart phone or tablet and compatible app to instantly view the page.

Alternatively visit: <http://www.bomford-turner.com/landscape/arm-mowers/raven/>



**Rugged design**  
With oversized arms this machine is perfect for cutting grass.



**Integral tank mainframe**  
Reduced weight makes the Raven compatible with smaller tractors.



**Independent hydraulics**  
For continuous use. Twin pumps with separate oil tank.

## Product Specification

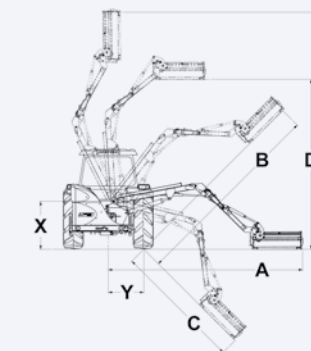
● Standard ○ Optional — Not Available

Raven	4.0m (13'2")	4.7m (15'8")
<b>Tractor requirements</b>		
Minimum horse power	45hp	45hp
Minimum weight	1800kg / 3968lbs	2000kg / 4409lbs
<b>Base unit mounting options</b>		
Front mount	—	—
Mid-mount	—	—
Rear mount	●	●
Three point linkage (CAT II)	●	●
Axle bracket	—	—
<b>Overall machine parameters</b>		
Machine weight with head and oil	640kg / 1411lbs	680kg / 1499lbs
Capacity of oil tank	130L / 34.3USG	130L / 34.3USG
Weight of machine with oil but without head	480kg / 1058lbs	530kg / 1168lbs
<b>Controls</b>		
Cable Control (CC)	●	●
Low pressure hydraulics (LPH)	○	○
Electronic Switch Control (ESC)	○	○
Electronic proportional control (EPP)	—	—
Intelligent control system (ICS)	—	—
Cable rotor reverse	●	●
Electronic rotor reverse	—	—
<b>Hydraulic System</b>		
System capability	45hp	45hp
Pump flow rate	74L / 19.5USG	74L / 19.5USG
Pump type (Gear / Piston / Helical)	Gear	Gear
Pump arrangement (Twin / Tandem Inline)	Twin	Twin
Independent hydraulics	●	●
Oil cooler	○	○
<b>Accessories</b>		
Road lights	—	—
Debris blower	—	—
Warning arrow - Magnetic	○	○
Cab guard kit	●	●

## Working Reach

Head used for calcs: 905mm

	Raven 4.0m (13'2")	Raven 4.7m (15'8")
A	4.0m / 13'2"	4.7m / 15'8"
B	3.52m / 11'7"	4.24m / 14'
C	2.51m / 8'3"	3.17m / 10'5"
D	2.77m / 9'1"	3.38m / 11'1"
E	4.12m / 13'6"	4.81m / 15'9"
X	1.0m / 3.4m	1.0m / 3.4m
Y	1.34m / 4'7"	1.34m / 4'7"



Raven	4.0m (13'2")	4.7m (15'8")
<b>Arm features and main frame</b>		
Fixed forward arm	—	—
Folding forward arm	—	—
Variable folding arm	—	—
Telescopic arm	—	—
Telescopic arm stroke	—	—
Power slew	—	—
Power slew angle	—	—
Gravity breakout protection	●	●
Hydraulic breakout protection	—	—
Armfloat - manual operation	○	○
Armfloat - electronic operation	○	○
Head angle float	●	●
Left hand cutting	○	○
Right hand cutting	○	○
Left and right hand cutting	—	—
<b>Arm attachments available</b>		
Variable track bracket (VTB)	—	—
Sheartrim cutter bar	○	○
Pro-Saw	○	○
Ditch cleaner	—	—
Rotary head	—	—
<b>Cutting heads (For Flail compatibility see pg 86)</b>		
950mm head with 102mm roller	●	●
1007mm head with 102mm roller	○	○
1107mm head with 115mm roller	○	○
1.5m sheartrim cutterbar	○	○



**Gravity breakout**  
For machine and operator safety.

